

SAVINGS UP TO
33%

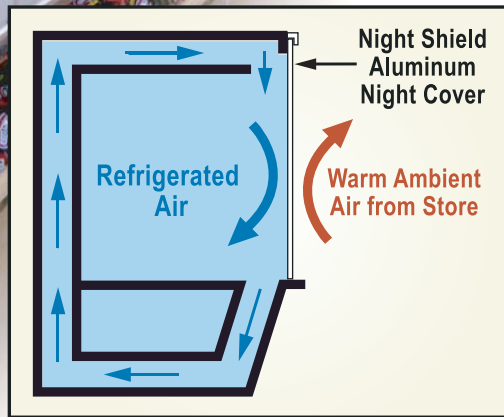
NightShield[®]

NIGHT COVERS

Night Shield™ Covers for Freezers & Coolers!

Night Shield takes energy savings to the next level. Our patented True Aluminum Fabric keeps the heat out and keeps the cold in during non-operational hours.

COOLER COVERS FOR NIGHT



Night Shield Features:

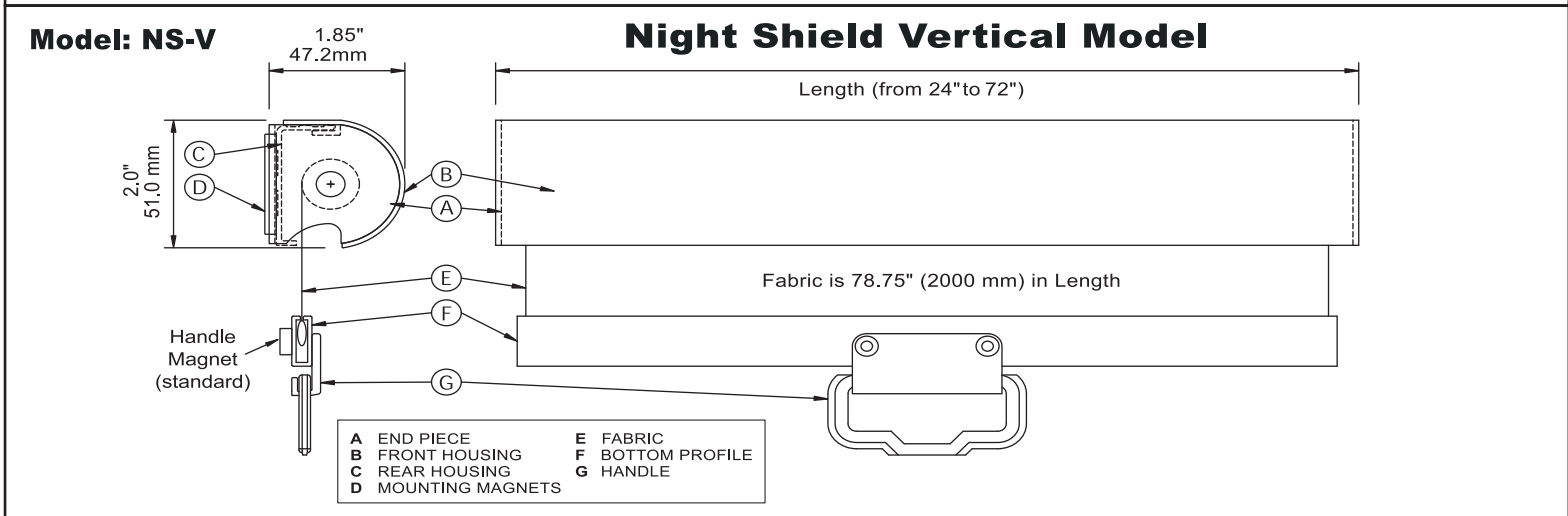
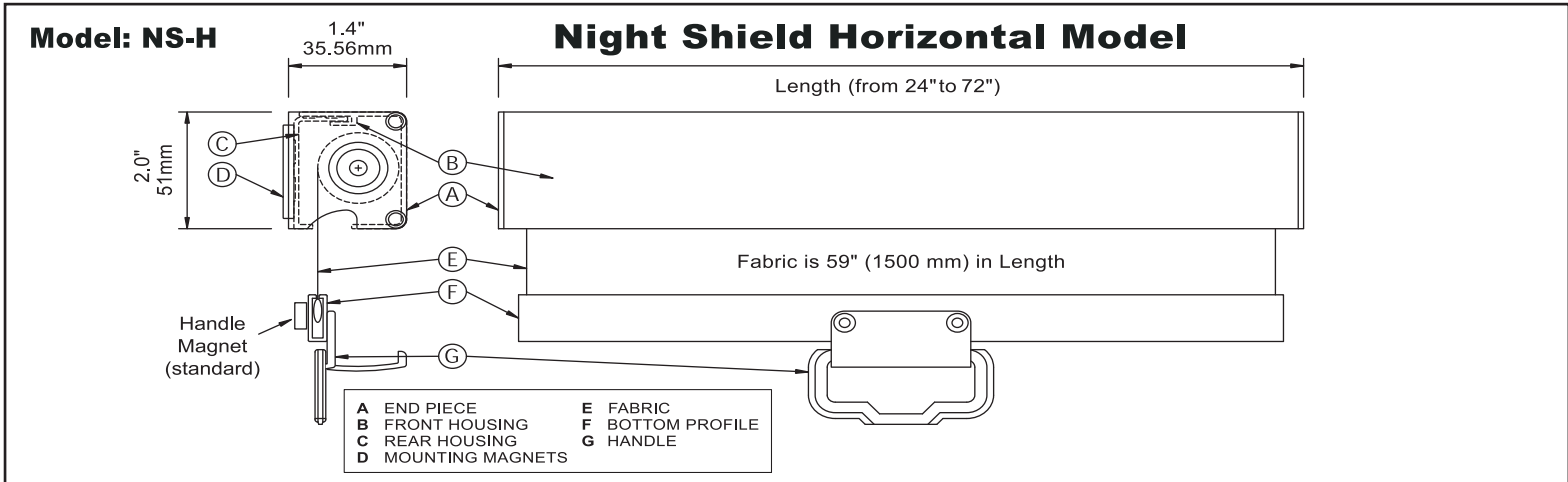
- ▶ Patented True Aluminum Fabric Keeps heat out & cold in
- ▶ Anti-bacterial coating / No Mold, Mildew or Discoloration
- ▶ Custom colors & lengths (vertical and horizontal cases)
- ▶ Easy Installation (one person)
- ▶ Magnet mount capability
- ▶ Attractive low profile aluminum case
- ▶ Approved and recommended by major OEM's
- ▶ Qualifies for energy rebates.
- ▶ Savings up to 33% when in use.
- ▶ Helps reduce food shrinkage.



The Green Store Solutions company

PHOENIX OFFICE: 2445 E. Chambers Street Phoenix, AZ 85040 3633 Ph: 877 366 7647

www.SupermarketEnergyTech.com



STANDARD SIZES

Product Description	Model #	2 ft.	3 ft.	4 ft.	5 ft.	6 ft.
Night Shield Clear	NS-C-	✓	✓	✓	N/A	N/A
Night Shield Clear w/ Mounting Magnets	NS-CM	✓	✓	✓	N/A	N/A
Night Shield OEM	NS-OEM	✓	✓	✓	✓	✓
Night Shield OEM w/ Mounting Magnets	NS-OEMM	✓	✓	✓	✓	✓
Night Shield Vertical	NS-V	✓	✓	✓	✓	✓
Night Shield Vertical w/ Mounting Magnets	NS-VM	✓	✓	✓	✓	✓
Night Shield Horizontal	NS-H	✓	✓	✓	✓	✓
Night Shield Horizontal w/ Mounting Magnets	NS-HM	✓	✓	✓	✓	✓

Legend:

NS = Night Shield
 C = Clear (See thru Plastic)
 OEM = Factory Installed
 V = Vertical
 H = Horizontal Cases
 M = Mounting Magnets

Sample Orders Below: Order by Model #, then Size / Length

NS-V-4	= Night Shield Vertical in 4 ft length
NS-HM-6	= Night Shield Horizontal w/Magnets in 6 ft. length
NS-VM-55"	= Night Shield Vertical w/Magnets in 55" length
NS-C-3	= Night Shield Clear in 3 ft length

* All Night Shields come STANDARD with Handle Magnets.

** Custom sizing available at any length from 24" thru 72" NS-V & NS-H models and 24" - 48" on NS-C model.

*** Custom cassette coloring available.



The Green Store Solutions company

www.SupermarketEnergyTech.com